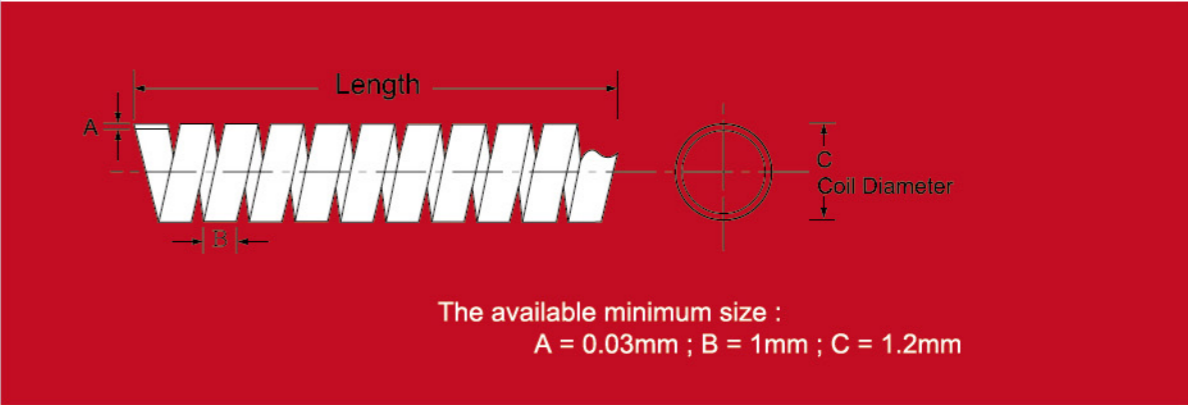




Specification:



STAINLESS STEEL STRIP SPRING TUBE

Feature:

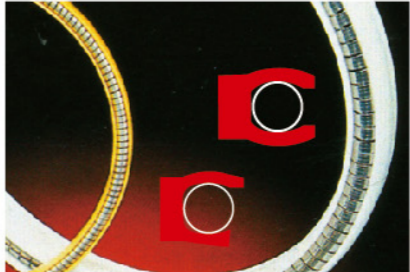
Strip-spring tube is made from stainless strip steel wound into a round helical cross section. It is designed for use in special seals and the inner tube of endoscope as a radial or axial compression energizer.

Based on decades' experience in manufacturing steel strip spring Ming Tai Industrial Co., Ltd. (founded in 1966) is now glad to present its newly developed Stainless Steel strip Spring tube. The Spring tube is made from stainless steel strip wound into a round helical cross section, both its elasticity and flexibility are better than those made of wire. It is normally used in static or slow dynamic applications and often when very low temperatures are present. The Spring tube is designed for use in special seals (Fig.1 & Fig.2) and the inner tube of endoscope (Fig.3) as a radial or axial compression energizer.

Function+Applications



▲ Fig1: Special seal



▲ Fig2: Cross section of special seal



▲ Fig3: Flexible endoscope



Bowden Cable for Automotive and industrial